

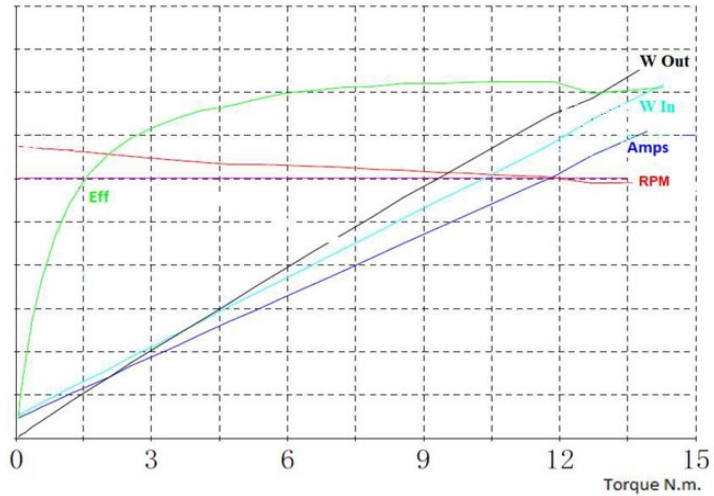
Model: MM3018FC

Description: MaxMotion 3HP, 1750RPM, 180VDC, TEFC, 145TC

Tester: 01

Test Date: 2018.11.12

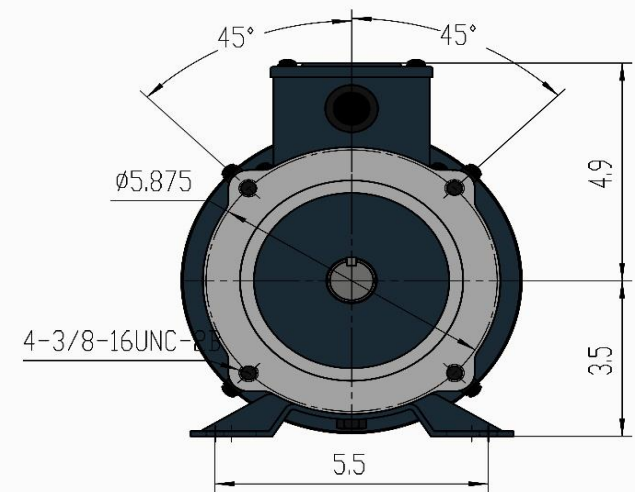
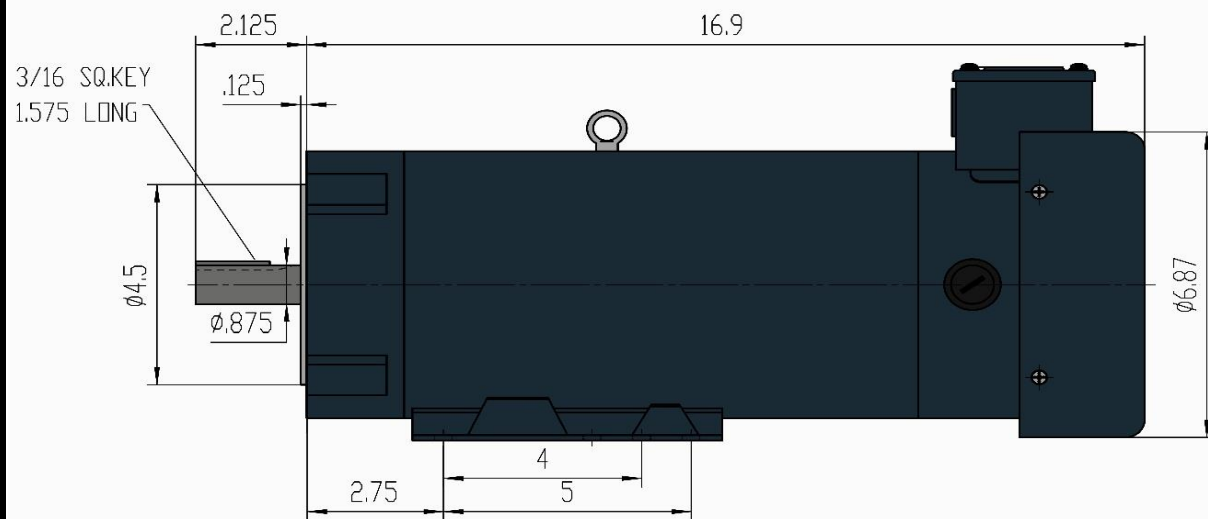
V	A	W In	RPM	W out	Eff. %
300	25	4000	3000	3000	100
270	22.5	3600	2700	2700	90
240	20	3200	2400	2400	80
210	17.5	2800	2100	2100	70
180	15	2400	1800	1800	60
150	12.5	2000	1500	1500	50
120	10	1600	1200	1200	40
90	7.5	1200	900	900	30
60	5	800	600	600	20
30	2.5	400	300	300	10
0	0	0	0	0	0



Measured Points	V	A	Input Watts	N.m.	RPM	Output Watts	%
No Load	180.7	1.205	217.8	0.05	2030	11.05	5.0%
Rated	180.2	15.11	2726	11.84	1814	2250	82.5%
Efficiency Max.	180.3	13.81	2490	10.74	1829	2057	82.6%
Max. Kw Output	180.2	18.16	3273	14.3	1775	2658	81.2%
Max. Torq. Output	180.2	18.16	3273	14.3	1775	2658	81.2%
End	180.2	18.16	3273	14.3	1775	2658	81.2%

Load	Measure	V	A	Input Watts	N.m.	RPM	Output Watts	%
0.5%	1	180.7	1.205	217.8	0.05	2030	11.05	5.0%
1.0%	2	180.7	1.261	228.0	0.11	2029	23.36	10.2%
1.8%	3	180.7	1.372	248.0	0.19	2026	41.57	16.7%
3.4%	4	180.7	1.522	280.5	0.36	2022	77.06	27.4%
5.4%	5	180.7	1.825	329.8	0.57	2015	121.0	36.7%
8.2%	6	180.6	2.165	391.3	0.87	2005	183.4	46.8%
11.2%	7	180.6	2.573	464.9	1.2	1997	252.5	54.3%
14.9%	8	180.6	3.047	550.5	1.61	1983	335.9	61.0%
19.0%	9	180.6	3.576	645.9	2.07	1970	426.9	66.0%
23.2%	10	180.5	4.16	751.3	2.54	1955	521.1	69.3%
27.4%	11	180.5	4.742	856.4	3.03	1941	616.9	72.0%
31.9%	12	180.5	5.354	966.7	3.55	1928	717.0	74.1%
36.6%	13	180.5	6.019	1086	4.1	1915	823.6	75.8%
41.4%	14	180.4	6.735	1215	4.67	1905	932.6	76.7%
46.8%	15	180.4	7.439	1342	5.3	1899	1054	78.7%
52.2%	16	180.4	8.153	1471	5.92	1893	1174	79.8%
57.7%	17	180.4	8.92	1609	6.57	1886	1298	80.6%
63.1%	18	180.4	9.682	1746	7.22	1878	1420	81.2%
68.5%	19	180.4	10.48	1892	7.89	1866	1541	81.4%
74.2%	20	180.3	11.29	2036	8.57	1860	1670	82.0%
79.6%	21	180.3	12.11	2184	9.25	1849	1791	82.0%
85.6%	22	180.3	12.94	2334	9.99	1840	1925	82.4%
91.4%	23	180.3	13.81	2490	10.74	1829	2057	82.6%
97.5%	24	180.2	14.73	2656	11.52	1818	2193	82.5%
100.0%	25	180.2	15.11	2726	11.84	1814	2250	82.5%
100.0%	26	180.2	15.11	2726	11.84	1814	2250	82.5%
104.8%	27	180.2	16.36	2951	12.72	1771	2359	79.9%
118.1%	28	180.2	18.16	3273	14.3	1775	2658	81.2%

# MaxMotion



Customer is responsible in determining that MaxMotion product will fit/performance suitably in the intended application

Version: 1NIN

Revised: April 2020

HP	RPM	Voltage	Amps	Const.	Frame	Insul.	Torque	P. Code	Wgt lbs	Rated
3	1750	180Vdc	18,6	TEFC	145TC	Class H	108 in/lbs	K (SCR)	70	IP45

**MM3018FC**

# DC PERMANENT MAGNET MOTOR

HEAVY GAUGE ROLLED STEEL CONSTRUCTION | TENV TOTALLY NON-VENTILATED & TEFC TOTALLY ENCLOSED FAN COOLED SCR RATED, 90VDC, 180VDC

MaxMotion

## Applications:

For use with SCR rated single phase DC variable speed controls used in conveyors, pumps, packaging equipment and many other applications where economical precise speed control is required.



## Features:

**Design** - SCR Rated

**Construction** - Rolled Steel, NEMA C-Face Footed with Removable Base

**Agency listings and standard** - NEMA, UL Recognized and CSA Certified, RoHS Compliant

**Service Factor** - 1.0

**IP Rating** - IP45

**Insulation** - Class F Insulation

**Speed Range** - 20:1 Constant Torque, Linear Speed/Torque Characteristics over entire speed range

**Voltage** - 90V & 180V

**Bearings** - Permanently Lubricated High quality Double Shielded Ball Bearings

**Brushes** - Oversized for Extra Long Life, Easy brush access with Unique brush Holder

**Enclosure Protection** - (TEFC) Totally Enclosed Fan Cooled & (TENV) Totally Enclosed Non-Ventilated

**Duty** - Continuous

**Warranty** - 18 Months

# DC PERMANENT MAGNET MOTOR

HEAVY GAUGE ROLLED STEEL CONSTRUCTION | TENV TOTALLY NON-VENTILATED & TEFC TOTALLY ENCLOSED FAN COOLED SCR RATED, 90VDC, 180VDC



HP	FL RPM	VOLTS	FRAME	CAT NO.	CONSTRUCTION	ENCLOSURE	NOM EFF.	F.L. AMPS	DE BEARING	NDE BEARING	WT (Lbs)	"C" Dimension (Inch)
0.25	1773	90	56C	MM2590NV	ROLLED STEEL	TENV	76.70%	2.05	6203	6203	21	8
	1773	90	56C	MM2590FC	ROLLED STEEL	TEFC	76.70%	2.05	6203	6203	21	9.6
	1717	180	56C	MM2518NV	ROLLED STEEL	TENV	71.90%	2.55	6203	6203	21	8
	1717	180	56C	MM2518FC	ROLLED STEEL	TEFC	71.90%	2.55	6203	6203	21	9.6
0.33	1691	90	56C	MM3390NV	ROLLED STEEL	TENV	77.70%	5.1	6203	6203	23	8
	1691	90	56C	MM3390FC	ROLLED STEEL	TEFC	77.70%	5.1	6203	6203	23	9.6
	1687	180	56C	MM3318NV	ROLLED STEEL	TENV	69.90%	2.55	6203	6203	23	8
	1687	180	56C	MM3318FC	ROLLED STEEL	TEFC	69.90%	2.55	6203	6203	23	9.6
0.5	1702	90	56C	MM5090NV	ROLLED STEEL	TENV	81.90%	6.28	6203	6203	25	8.88
	1702	90	56C	MM5090FC	ROLLED STEEL	TEFC	81.90%	6.28	6203	6203	25	10.4
	1752	180	56C	MM5018NV	ROLLED STEEL	TENV	81.40%	3.14	6203	6203	25	8.88
	1752	180	56C	MM5018FC	ROLLED STEEL	TEFC	81.40%	3.14	6203	6203	25	10.4
0.75	1651	90	56C	MM7590FC	ROLLED STEEL	TEFC	83.90%	9.82	6203	6203	30	11.45
	1675	180	56C	MM7518FC	ROLLED STEEL	TEFC	84.00%	4.9	6203	6203	30	11.45
1	1739	90	56C	MM1090FC	ROLLED STEEL	TEFC	84.00%	12.7	6203	6203	33	12.24
	1739	180	56C	MM1018FC	ROLLED STEEL	TEFC	84.70%	6.4	6203	6203	33	12.24
1.5	1793	180	56C	MM1518FC-56C	ROLLED STEEL	TEFC	83.30%	7.86	6203	6203	45	14.39
	1793	180	145TC	MM1518FC	ROLLED STEEL	TEFC	83.30%	7.86	6305	6305	45	13.8
2	1751	180	56C	MM2018FC-56C	ROLLED STEEL	TEFC	82.80%	10.4	6305	6305	55	14.75
	1751	180	145TC	MM2018FC	ROLLED STEEL	TEFC	82.80%	10.77	6305	6305	55	14.8
3	1814	180	145TC	MM3018FC	ROLLED STEEL	TEFC	82.50%	18.6	6305	6305	70	16.9

